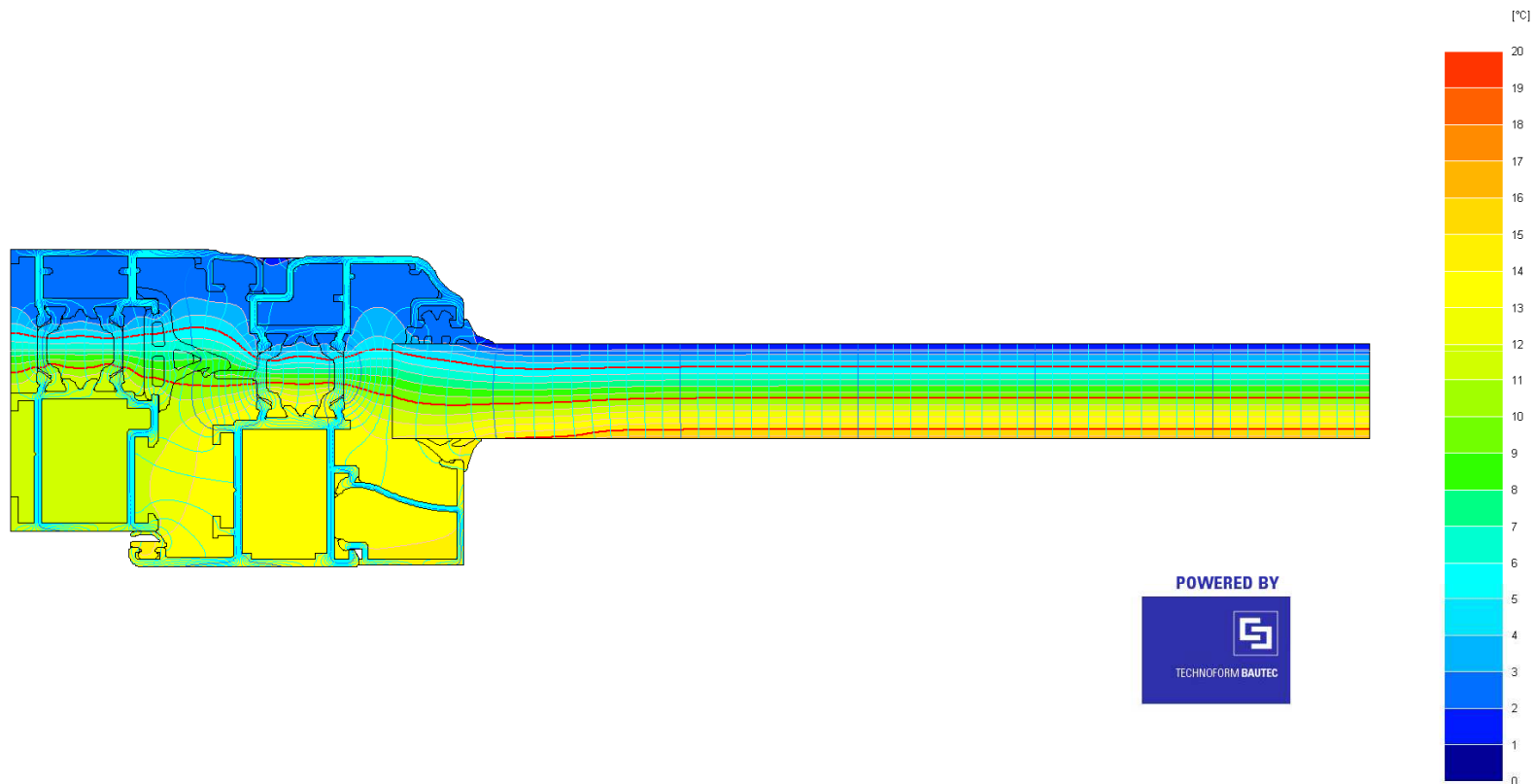




Thermal performance

■ 59T



$$U_f = 3.39 \text{ W/m}^2\text{K}$$